

Self-adapting PPS cushioning round cylinder DSNU

FESTO



Innovation!

More economical: round cylinder DSNU with self-adapting pneumatic cushioning - PPS for short.

Faster and smoother

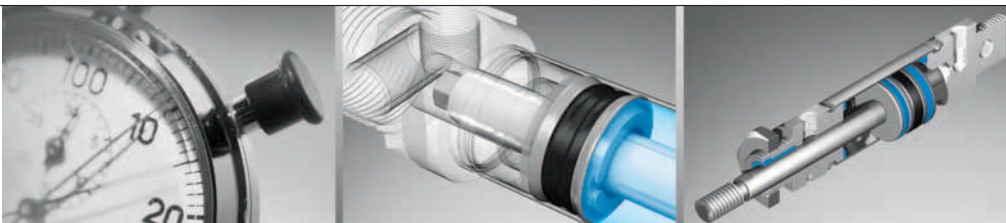
The PPS enables a dynamic yet gentle movement to the end position without manual adjustment of the cylinder.

More convenient and time saving

It is no longer necessary to adjust the cushioning on the DSNU with PPS. It reduces installation time and simplifies assembly. It offers especially OEMs a very interesting alternative to reduce cycle times.

Self-adapting

The self-adapting system guarantees optimum cushioning, even with changing loads and/or speed. This means that the cushioning for all DSNUs is the same under all circumstances. And, importantly, tampering is eliminated.



Reduced installation time

Self-adapting

Soft stopping

113.3.PSI →

Product Short Information

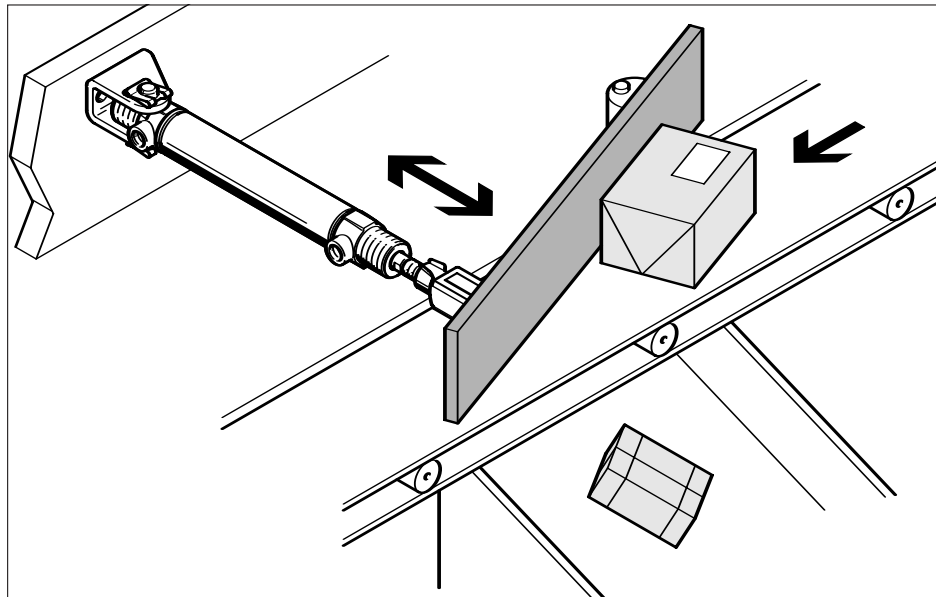
Self-adapting PPS cushioning round cylinder DSNU

Savings potential thanks to PPS cushioning – an example

A system for sorting packages consists of 60 stations each with a DSNU round cylinder. A total of 60 cylinders are used.

Assembly and setting are reduced by up to 5 minutes per cylinder.

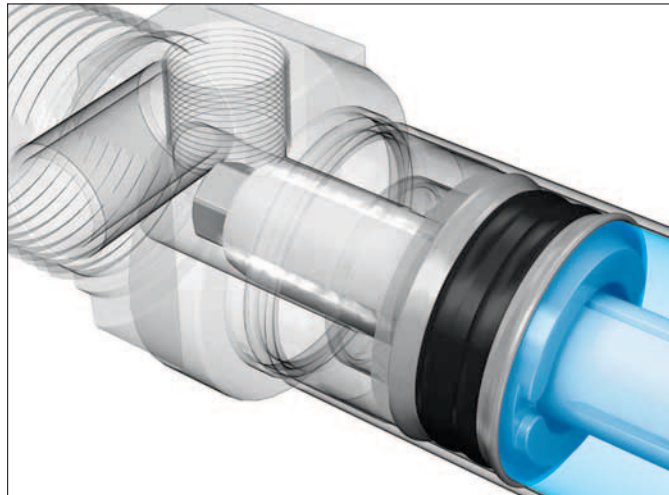
This results in a savings potential of 300 minutes or 5 working hours for the 60 cylinders.



The DSNU-PPS range

- Diameters 16, 20, 25, 32, 40, 50, 63 mm (double-acting cylinders)
- X strokes 1 to 500 mm
- DSNU basic cylinder:
 - Bearing cap (LD) with flange thread
 - End cap (AD) with threaded lug and swivel bearing
- DSNU...-MQ:
 - Bearing cap (LD) with flange thread
 - End cap (AD) with air connection lateral to the cylinder axis
- CRDSNU version in stainless steel for improved corrosion protection

Innovative: PPS cushioning



The self-adapting pneumatic cushioning is a highly innovative type of cushioning which enables a dynamic yet gentle movement to the end position without manual intervention on the cylinder. This is achieved by venting the cushioning air in a controlled way via the longitudinal slots.