



**Thorite**

**AIR BRUSH**

**GUIDE**

# CONTENTS

- 1 TYPES OF AIR BRUSH**
- 2 AIRBRUSH APPLICATION CHART**
- 3-6 AIRBRUSH RANGE**
- 7 AIRBRUSH AIR SUPPLY & COMPRESSORS**
- 8 AIRBRUSHES ACCESSORIES & SPARES**

**TO ORDER ONLINE  
CLICK ON ANY PART NUMBER  
OR GO STRAIGHT TO :**



**www.thoritedirect.co.uk**



## OR IF YOU WANT TO BUY LOCALLY...

**BLACKBURN**  
Unit 1, Forrest Street  
Blackburn BB1 3BB  
Tel: 01254 679922 Fax: 01254 673285  
E Mail: blackburn@thorite.co.uk

**BOLTON**  
Raikes Lane Industrial Estate  
Bolton BL3 2NH  
Tel: 01204 362614 Fax: 01204 528765  
E Mail: bolton@thorite.co.uk

**BRADFORD**  
Thorite House, Laisterdyke  
Bradford BD4 8BZ  
Tel: 01274 663471 Fax: 01274 668296  
E Mail: bradford@thorite.co.uk

**DONCASTER**  
Whittingtons Court, Wheatley Hall Road  
Doncaster DN2 4PE  
Tel: 01302 325491 Fax: 01302 341007  
E Mail: doncaster@thorite.co.uk

**HUDDERSFIELD**  
6 Barge Street,  
Huddersfield HD1 3LN  
Tel: 01484 534245 Fax: 01484 435023  
E Mail: huddersfield@thorite.co.uk

**LEEDS**  
Unit 4, Riverside Place,  
Bridgewater Road,  
South Accommodation Road,  
Leeds, LS9 0RQ  
Tel: 0113 200 0640 Fax: 0113 248 4855  
E Mail: leeds@thorite.co.uk

**ROCHDALE**  
Unit 11, The Landings, Oldham Road  
Rochdale OL16 5QY  
Tel: 01706 860919 Fax: 01706 861731  
E Mail: rochdale@thorite.co.uk

**SHEFFIELD**  
5 Bamforth Street  
Sheffield S6 2HD  
Tel: 0114 233 1128 Fax: 0114 233 1140  
E Mail: sheffield@thorite.co.uk

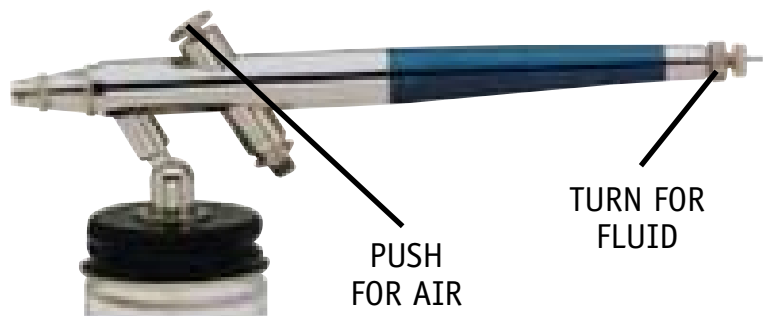
**NORTH SHIELDS**  
Collingwood House, Lawson Street  
North Shields, Tyne & Wear NE29 6TG  
Tel: 0191 258 2623 Fax: 0191 296 1445  
E Mail: sales@hoggpneumaticsolutions.co.uk

# BADGER AIRBRUSHES

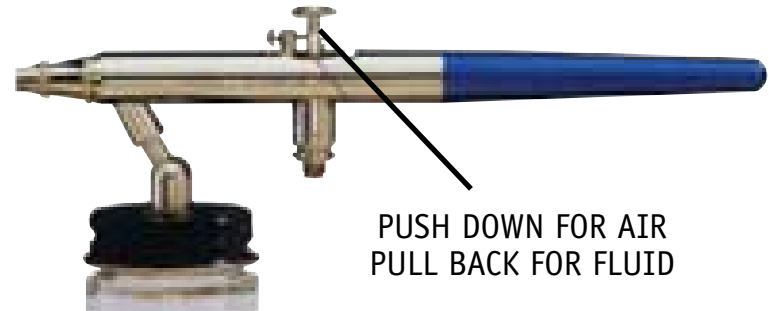
Before buying an Airbrush, there are some terms which you should familiarise yourself with.

Airbrushes are classified by two main features: A) whether they are single or double action and B) whether they are internal or external mix.

## The Action



**Single Action** refers to the method necessary to trigger off the airbrush. When the trigger is depressed, a pre-set amount of fluid is sprayed. The amount of fluid can be regulated by turning the needle adjustment screw at the back of the handle.



**Double Action** is so-called because the airbrush is triggered by pressing down for air and back for fluid. This simple double action manoeuvre allows the user to change the width of line, the modulation of valve and the opaqueness of the paint without stopping the hand movement.

## The Mix

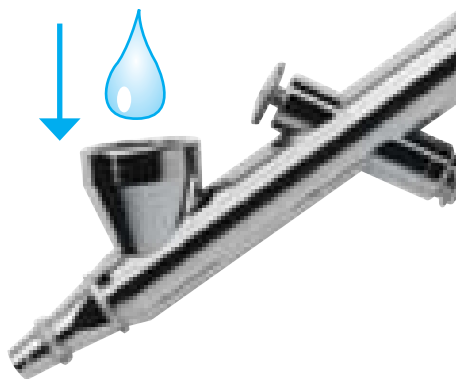


**External Mix** refers to the manner in which the air and fluid come together outside the head or fluid assembly (externally) causing the spray to be a larger dot than that of the internal mix airbrush.



**Internal Mix** means just that. The air and the paint come together inside the head assembly (internally) and produce a thoroughly atomised fine dot spray.

## The Feed



**Gravity Feed** refers to airbrushes with top-mounted colour cups in which gravity draws paint into the airbrush. Less air pressure is required enabling slower hand movement which creates excellent control for fine detail applications.



**Bottom Feed** refers to airbrushes on which paint enters through a siphon tube or colour cup attached to the bottom of the airbrush. Removable jars or various size colour cups can be connected to and utilised with bottom feed airbrushes. This configuration is generally more versatile and enables the user to change colours quickly.

# BADGER AIRBRUSHES

## AIRBRUSH APPLICATION CHART

		350	250-4	250-3	250-2	200-11	200-9	200-3	157-7	175-3	175-2	175-1	155
AIRBRUSH TYPE	Internal Mix					●	●	●	●	●	●	●	●
	External Mix	●	●	●	●								
	Double Action								●	●	●	●	●
	Single Action	●	●	●	●	●	●	●					
	Gravity Feed					●	●						
	Bottom Feed	●	●	●	●			●	●	●	●	●	●
SPRAY & COLOUR MEDIA	Watercolour	●	●	●	●	●	●	●	●	●	●	●	●
	Gouache	●	●	●	●	●	●	●	●	●	●	●	●
	Acrylic	●	●	●	●	●	●	●	●	●	●	●	●
	Ink / Dye	●	●	●	●	●	●	●	●	●	●	●	●
	Oil	●	●	●	●			●	●	●	●	●	●
	Enamel	●	●	●	●			●	●	●	●	●	●
	Lacquer	●	●	●	●			●	●	●	●	●	●
	Textile	●	●	●	●			●	●	●	●	●	●
	Glazes	●	●	●	●				●	●	●	●	
	Gesso	●	●	●	●				●	●	●	●	●
	Varnish	●	●	●	●			●	●	●	●	●	●
	APPLICATIONS	Fine Art	●	●	●	●	●	●	●	●	●	●	●
Commercial Art						●	●	●	●	●	●	●	●
Model & Hobby		●	●	●	●			●	●	●	●	●	●
Craft		●	●	●	●	●	●	●	●	●	●	●	●
T-shirt / Textile		●	●	●	●			●	●	●	●	●	●
Automotive		●	●	●	●			●	●	●	●	●	●
Signs		●	●	●	●			●	●	●	●	●	●
Fingernail Painting						●	●						●
Taxidermy							●	●	●	●	●	●	●
Cake Decorating						●	●						●
Ceramics		●	●	●	●			●	●	●	●		●

# BADGER AIRBRUSHES

## 350 SERIES Bottom Feed • Single Action • External Mix

Model 350 will handle stippling and spraying of larger areas. Will spray ceramic glazes and stains, hobby enamels, reduced acrylics and inks.

### Specification

- Kit contains a 350 medium tip airbrush with attachable 3/4 oz (22cc) jar, 6' (1.83m) vinyl air hose, 2 oz (60cc) jar with cover, 1/4 oz (7cc) colour cup, propellant regulator, propellant can, wrench for head and instruction booklet
- Fan size: 6mm to 50mm (1/4" to 2")
- Fine fan available down to 3.2mm



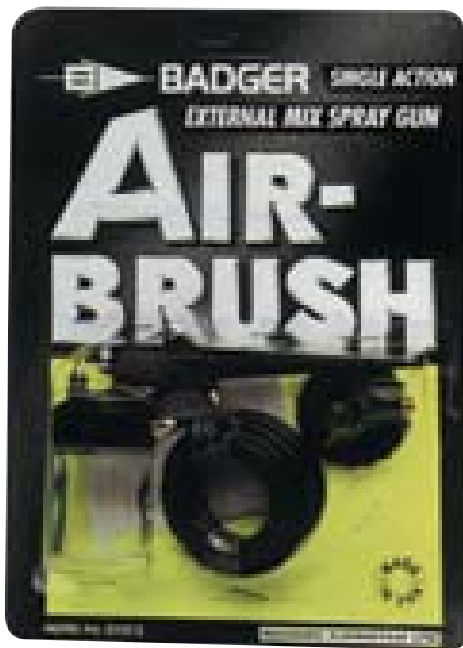
## 250 SERIES Bottom Feed • Single Action • External Mix

Model 250 will handle medium to heavy viscosity material for large overall coverage. Ideal for modelling, school projects, work shops, ceramic underglazes, work with stencils, so many jobs that require a simple yet effective spray.

### Features

- Spray any liquid or mix your own colours
- Operates on 20 to 50 PSI
- Normal operating pressure - 25 PSI
- Spray gun resists solvents and paint chemicals
- Can be adapted to all air systems: Compressor, CO2 tank or aerosol propellant cans
- Removable Teflon syphon tube for easy cleaning
- Portable

### Model AB250-2



### Features

- Airbrush with attached 3/4 oz. (22cc) jar, propellant regulator valve and 6ft (1.83m) vinyl air hose.

### Model AB250-3



### Features

- Airbrush with attached 3/4 oz. (22cc) jar, propellant regulator valve and 6ft (1.83m) vinyl air hose, extra 3/4oz. (22cc) jar with cover, propellant and instruction booklet.

### Model AB250-4



### Features

- Airbrush with attached 4oz. (120cc) jar, propellant regulator valve and 8ft (2.45m) vinyl air hose, propellant and instruction booklet.

# BADGER AIRBRUSHES

## 200 SERIES Bottom or Gravity Feed • Single Action • Internal Mix

Model 200 airbrushes will produce the same soft spray patterns as dual action brushes but require less skill to use them thanks to the needle adjustment screw located at the back of the handle which is used to pre-set the amount of fluid required. The trigger is used only to activate the air supply. This ease of use makes the 200 an ideal tool for the beginning artist, student, hobbyist and cake decorator.

### Features

- Adapts to three different head assemblies by changing the complete head assembly and needle. F-Fine, M-Medium, L-Heavy
- Choice of three reservoirs: 3/4 oz (22cc) jar, 2oz (60cc) jar, 1/4 oz (7cc) colour cup
- Colour cup and jar adaptor designed with force fit feature for rapid colour change
- Self lubricating Teflon needle bearing prevents colour back-up and eliminates wear to the needle
- Teflon head washer - no need to wax head in place
- Right or left handed

## Model AB200-3

### Features

- Attractively packaged set contains medium airbrush with attachable 3/4 oz. (22cc) jar and cover, 6ft (1.83m) vinyl hose, propellant regulator, propellant can, 2oz. (60cc) jar with cover, head wrench and instruction booklet



## AB2009CV Kit Complete

### Features

- All-in-one kit containing 200-9 gravity feed single action airbrush, 6ft vinyl hose and a low noise B350 compact compressor, all packaged in a handy carry case.
- Ideal for: Cake decorators, Finger nail painters and Graphic artists



## GRAVITY FEED 200's

### Features

- Choice of permanent top-mounted 1/16 oz. (2cc) colour cup or simple built-in fluid cavity which will hold small amounts of inks, dyes and watercolours for artists, cake decorators and fingernail painters.



# BADGER AIRBRUSHES

## 175 SERIES Dual Action • Internal Mix • Bottom Feed

The Crescendo 175 is the choice for professional production airbrushing. It is also very popular with modellers and hobbyists looking for one airbrush which will spray anything from a fine pencil line right up to 75mm (3").

In other words this tool can be used for background cover (similar to the task of a spray gun) as well as for fine detailed work simply by changing the tips and head assemblies (no tools required).

### Crescend type AB175



#### Features

- Bottom feed, dual action, internal mix, adaptable to colour cups or jars
- Three head assemblies for different fluid viscosities
- Medium and large tips and all three needle sizes constructed of sturdy stainless steel
- Winged back lever designed for easy re-assembly and more precise trigger control
- One-piece, no-slip, angled trigger designed for durability and comfort
- Snap-off handles for quick needle changes and cleaning
- Easy change tips and head assemblies - no tools required
- Adaptable to three head sizes

### Kits AB175-1/-7



#### AB175-7

- Contains Crescendo airbrush, all three tips, spray regulators and needles (Fine, Medium and Heavy), 8ft braided air hose, 3/4 oz. (22cc) jar with jar adaptor, two 2oz. (60cc) paint jars, one 1/4oz. (7cc) colour cup, airbrush hanger, protective cap and instruction book all presented in a printed display box.

#### AB175-1

- Set includes the Crescendo airbrush with Fine head assembly & needle. Also includes a 1/4 oz. (7cc) metal colour cup, 3/4 oz (22cc) jar with adaptor, 2oz. (60cc) jar, spare needle, two trigger pads, airbrush hanger and protective cap all in a sturdy box

### Kits AB175-2/3/5



#### AB175-2

- Same as 175-1 but with Medium head assembly and needle.

#### AB175-3

- Same as 175-1 but with Large head assembly and needle.

#### AB175-5

- Crescendo airbrush with Medium head assembly and needle, two trigger pads in a corrugated box (Not illustrated).

## AB155 SERIES Dual Action • Internal Mix • New Design

The Model 155 is possibly the most versatile airbrush available to date. It has a single-size paint tip, spray regulator and needle that works with any properly reduced medium, including acrylics, gouache, inks, dyes, enamels, lacquers, stains etc. The Anthem works especially well with Air-Opaque paints.

### ANTHEM COMPLETE SETS

#### Features

- Bottom feed, dual action, internal mix, adaptable to colour cups or jars
- Single-size paint tip, spray regulator and needle
- Wide range of spray widths without need to change needle
- Works with any properly reduced medium

#### AB155-7

- Contains Anthem airbrush, 50-208 jar adaptor, 2 x 2oz. (60cc) jars, 1 x 3/4 oz. (22cc) jar, colour cup, 6ft braided hose, airbrush hanger and instruction booklet.

#### AB155-1

- Set includes Anthem airbrush, 2oz. (60cc) and 3/4 oz. (22cc) jar,



colour cup, airbrush hanger and instruction booklet all in a sturdy case

#### AB155-2

- Anthem airbrush only in a corrugated box.

# BADGER AIRBRUSHES

## THE BEST OF THE REST

### AB100 SERIES Dual Action Airbrushes

Professional standards are showcased in the 100 Series. This series offers a variety of styles for every professional need. Bodies are crafted of nickel-plated brass correctly proportioned for perfect balance.

#### AB100-3

- Fine gravity feed airbrush with permanently mounted 1/16 oz. (2cc) top colour cup, counter balanced handle, protective cap, extra-fine needle, wrench for head, airbrush holder, instruction booklet and strong case.

#### AB100-5

- Extra-fine line gravity feed airbrush with large permanently mounted 1/3 oz. (10.5cc) colour cup and all other accessories as above.



### AB150 SERIES Dual Action Airbrushes

The Model 150 bottom feed is the most versatile of airbrushes. It is used by fine artists, illustrators, fabric designers, custom automotive painters and professional model makers.

#### AB150-5 Boxed Set

- A wooden boxed set containing a medium airbrush with attachable 3/4 oz. (22cc) jar, protective cap, Heavy and Fine head assemblies and needles, 1/4 oz. (7cc) colour cup, 2oz. (60cc) jar with cover, braided air hose, 1/4" BSP thread fitting to connect to compressor, holder and instructions.

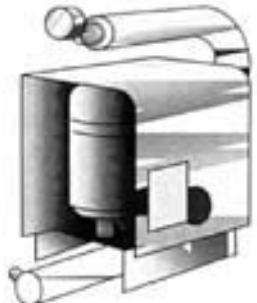




# BADGER AIRBRUSHES AIR SUPPLY & COMPRESSORS

**The Vital Ingredient** - When making a decision about which airbrush to buy, another major decision you will have to make is the type of air source you are going to use to power it. There are three major types of air source employed to power an airbrush - compressor, rechargeable reservoir (such as a rubber tyre) and an aerosol containing propellant.

The five main factors to take into consideration when deciding is the best system for you are:



- Initial Cost
- Running Costs
- Efficiency
- Noise
- Present and Eventual Needs

## Compressors

In very simple terms, compressors, although initially expensive, in the long term provide the cheapest constant source of air, in the most efficient manner.

## Rechargeable Reservoir

Finally, the high pressure reservoir, such as a spare tyre (fitted to a wheel), could be cheap to obtain, but possibly not the most acceptable accessory to have lying around a workshop, kitchen, bedroom or wherever you would be carrying out your airbrushing.

## Airbrush Propellant

Excellent starting air source or alternative short usage air source for use with all types and makes of airbrush.

Available in 25, 500 & 750ml sizes:

M12 - 250ML

M50 - 500ML

M35 - 750ML



## Aerosol Propellants

On the other hand, you may only be thinking of using an airbrush occasionally, in which case aerosol cans could be the answer for you. As well as being quiet in use, they are transportable and do not require a power source.

Quite often, users prefer to see how serious they are about airbrushing in the first place by starting with aerosols, and then move on to compressors when convinced that they are not dealing with a five minute wonder!

All the kits featured in this catalogue with aerosol cans and vinyl hoses, can be upgraded to work with compressors at a later date.

## Spare Tyre Adaptor - BA50029

To use a spare tyre for pressure, insert the adaptor into the propellant regulator valve (50-200) and attach to spare tyre.

**Note:** tyre must be on a rim and inflated to 40lbs of air pressure.

Spare Tyre Valve Adaptor



## BA50200 Propellant Regulator

Made of high impact nylon, with metal parts. Adjusts propellant can pressure from 10 to 50 PSI pressure.

Control allows for finer adjustments of spray patterns. Prolongs life of propellant.



## C45DC

Well-built, robust work-horse of a compressor which is well suited to the entire range of airbrushes within this catalogue.

### Specification

- Pressure 4 Bar (55psi)
- Inlet flow rate 70Ltr/min (2.5cfm)
- Noise 60Db/A
- Power 220Watts (1.4amps)
- Weight 5.4Kgs (11.9lbs)
- Dimensions 17cm x 26cm x 23cm (6.69" x 10.24" x 9.05")



Compatible with Series 250, 200, 175 & 155 Series Airbrushes

# BADGER AIRBRUSHES ACCESSORIES & SPARE PARTS

## CP202

### Specification

- Electric motor 1/6 hp
- Air displacement 1.5 cfm (42 ltr/min)
- Connection 1/8"
- Maximum pressure 60 psi
- Weight 7.7 kgs
- Receiver capacity 3500 cc
- Receiver size 30 x 12.5 x 12.5 cms



## CP203

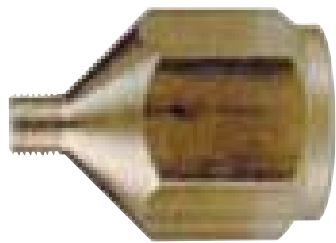
### Specification

- As CP202 but with auto pressure switch



## Hose Fitting Adaptor

All the compressors featured on this page are supplied with the correct adaptor for connection to our air hoses. For longer jobs and prolonged spraying we recommend the use of braided hoses. Hose fitting adaptors can be bought separately.



### BA500231

- For non tank mounted diaphragm compressors.

### BA50023

- For compressors with reservoir tanks.

## Flexible Lightweight Hose

### BA50001

- Sturdy long wearing vinyl 6ft (1.83m) hose as supplied in kits 250-3 and 200-3, 2009CV.



## Heavy Duty Braided Airhoses

### BA502011 - Standard Version

- The ideal hose for connection to a compressor. 10ft (3.05m) long hose with airbrush fitting one end and 1/4" BSP female connector the other.

### BA502012 - With In-Line Moisture Filter

- As above but with the addition of an in-line moisture filter.

### BA502018 - Quick-Release Hose

- For 8ft braided quick-disconnect hose

### BA51038 - Nipples for BA502018

### BA502015 - In-Line Moisture Filter

- For use with braided hoses. Can be retro-fitted to existing standard hoses.

### BA502017 - In-Jar Fluid Filter

- Designed for use with all siphon-fed airbrushes. Helps prevent airbrush clogs by filtering out large particle matter or oversized pigments. Use with siphon tube BA51/009

## Head Assemblies & Spares

Increase the versatility of your airbrush by making sure you have a range of spray widths available to you. In most cases you can either choose a complete head assembly and needle, or if you prefer, items can be purchased separately.



# BADGER AIRBRUSHES ACCESSORIES & SPARE PARTS

## Paint Jars with Covers

Fits 150/155/175/200/250 and 350 Series airbrushes.

### BA500052

- 3/4oz (22cc) Jar

### BA500053

- 2oz (60cc) Jar



## Kroma Kolors Cake Decorating Colours

With convenient colour coded tops, Kroma Kolors will keep you on top of your decorating needs. Each individual colour is carefully blended to ensure consistency. Kroma Kolors are supplied in 2.3oz bottles.



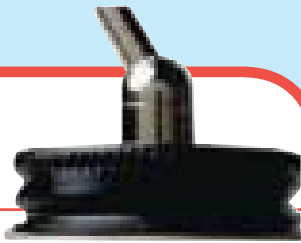
### BA8363 - Kroma Kolor Airbrush Set

- 3/4oz Set contains 11 x 2.3oz bottles in: Black, brown, blue, violet, red, white, orange, yellow, flesh, pink and green.

## Jar Adaptor

### BA50208

- Fits 150/155/175/200 and 250 Series airbrushes. Dia 33mm jar adaptor - fits both sizes.



## Spray Away & Display Turntable

### BA9120 - Spray Away

- Instant airbrush cleaner. Invaluable product for cleaning away final residues of paint from head assemblies, regulators and needles.

### BA9119 - Display Turntable

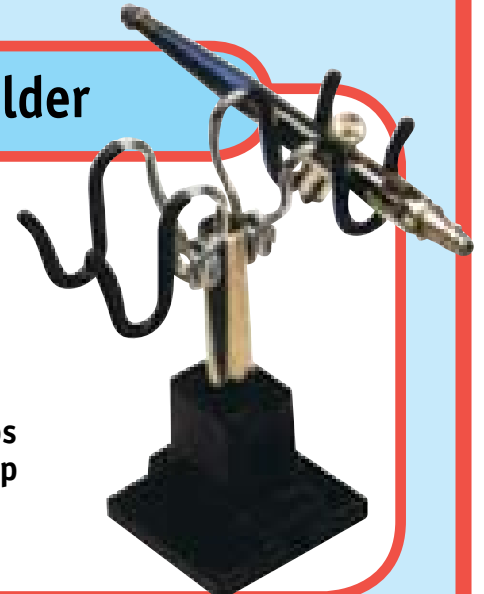
- Battery-driven 2-speed turntable. Ideal for model display as well as being a very useful aid to airbrushing.



## BA9125 - Airbrush Holder

Holds two airbrushes of any make or model.

Allows easy access to your airbrushes - eliminates dropping of airbrush and paint spills. Swivels and rotates for maximum flexibility and clamps securely to any table or desk up to 2" thick.



## Colour Cups

### BA500482

- When only small amounts of paint are required, a detachable colour cup is the solution. Self-standing, with screw-off bottoms for easy cleaning. 1/4oz (7cc) for models 150/155/175 and 200.



	200 Bottom Feed	200-9 200-11	175	155	150 (+100 Fine & Medium only)
<b>FINE</b>	<b>0.4 - 25mm</b>	<b>0.4 - 25mm</b>	<b>0.4 - 38mm</b>	-	<b>0.4 - 25mm</b>
Needle	BA50/0172	BA50/0173	BA41/006	-	BA50/0401
Head & Tip	BA50/0381	BA50/0381	-	-	BA50/0381
Head	BA50/038	BA50/038	BA41/023	-	BA50/038
Tip	BA50/0391	BA50/0391	BA41/003	-	BA50/0391
Regulator	BA50/0371	BA50/0371	BA41/033	-	BA50/0371
Head Assy Comp	BA50/016	BA50/0161	-	-	BA50/0161
<b>Medium</b>	<b>1.6 - 38mm</b>	<b>1.6 - 38mm</b>	<b>1.6 - 50mm</b>	<b>1.6 - 50mm</b>	<b>1.6 - 38mm</b>
Needle	BA50/017	BA50/0174	BA41/007	BA51/048	BA50/0402
Head & Tip	BA50/0382	BA50/0382	-	-	BA50/0382
Head	BA50/038	BA50/038	BA41/023	BA51/071	BA50/038
Tip	BA50/0392	BA50/0392	BA41/004	BA41/004	BA50/0392
Regulator	BA50/0372	BA50/0372	BA41/034	BA41/034	BA51/0372
Head Assy Comp	BA50/016	BA50/0162	-	-	BA50/0162
<b>HEAVY</b>	<b>3.2 - 50mm</b>	-	<b>3.2 - 75mm</b>	-	<b>3.2 - 50mm</b>
Needle	BA50/0171	-	BA41/008	-	BA50/0403
Head & Tip	BA50/0383	-	-	-	BA50/0383
Head	BA50/038	-	BA41/023	-	BA50/038
Tip	BA50/0393	-	BA41/005	-	BA50/0393
Regulator	BA50/0372	-	BA41/035	-	BA50/0373
Head Assy Comp	BA50/016	-	-	-	BA50/0163

# BADGER AIRBRUSHES ACCESSORIES & SPARE PARTS

## 'HOW TO' Books

### **BA0500 - Hobby & Craft Guide to Airbrushing**

- Learn how to prepare for painting, various techniques and more. 32 fully illustrated pages. By Carl Ciaiti.

### **BA0505 - Step by Step Modellers Guide to Airbrushing**

- Subjects include painting military figures, dioramas and detailing. 32 fully illustrated pages. By Harris/Roark.

### **BA0510 - Airbrushing Techniques for Custom Painting**

- Learn how to do blow ups, freak drops, cobwebbing, flames, masking, pinstriping and murals using stencils. 48 fully illustrated pages. By Carl Ciaiti.

## 'How To' Videos

The perfect way to learn a skill is to actually see the masters at work. These seven videos covering a wide range of subjects and techniques are really worth looking into. Perfect for classroom, club or individual teaching/instruction.



### **BA9001 - Introduction to Airbrushes**

- Accessories and airbrushing mediums

### **BA9002 - The Fundamentals of Airbrush Technique**

- Basic exercises

### **BA9003 - Intermediate Airbrush Technique - Working in colour**

### **BA9004 - The Art of Airbrushing Fingernails - A basic course**

### **BA9005 - Advanced Design Techniques**

### **BA9006 - T-Shirt and Fabric Airbrushing**

- Techniques for getting started

### **BA9007 - T-Shirt and Fabric Airbrushing**

- For the intermediate artist

### **BA8001 - An introduction to the Art of Cake Decorating by Pam Wakefield**

- This is the one you've been waiting for! A superb step by step guide to this fascinating subject. Follow Pam Wakefield's examples and you too will soon be creating professional looking masterpieces that will not fail to impress.

## Air-opaque Airbrush Colours

These ready-to-use opaque airbrush colours are pre-reduced for an almost infinite colour selection. They are specially formulated for use with airbrushes, technical pens or artists brushes and offer many advantages:

- Non-toxic - Safe for anyone who may be allergic to lacquers, enamels or petroleum base paints,
- 100% colourfast - will not fade
- No foul odour - no need for a ventilation system
- Ready to use - requires no chemical thinner



### **STANDARD RANGE**

- Air Opaque comes in pre-packaged seven 1oz bottle sets.

### **BA0701S - Primary Set**

- Magenta, yellow, blue, green, brown, black and white

### **BA0702S - Secondary Set**

- Scarlet, crimson, orange, violet, indigo, aqua and turquoise

### **BA0703S - Supplementary Set**

- Flesh, amber, powder blue, sepia, chrome oxide, green, lime green and warm yellow

### **BA0704S - Pearl Set**

- Pearl silver, pearl bronze, pearl yellow, pearl green, pearl gold, pearl blue and pearl red

### **WEATHERING SETS**

- With Air-Opaque Weathering Sets every modeller, including beginners, can weather and age locomotives, rolling stock, scenery and structures, just like a master modeller! The colours in both sets have been chosen to give you proper dust, rust, dirt and grime effects modellers want.

### **BA0705S - Weathering Set**

- For locomotives and rolling stock

### **BA0706S - Weathering Set**

- For scenery and structures

## Air-TEX Textile Airbrush Colours

Air-TEX non-toxic colours are excellent for light and most dark coloured textiles such as polyester, cotton and denim. Material with sizing must be pre-washed. Air-TEX colours are washable and colourfast. After application fabric remains soft and supple.



### **BA1101S - Air-TEX Primary Set**

- Magenta, yellow, blue, green, brown, black and white

# BADGER AIRBRUSHES ACCESSORIES & SPARE PARTS

## Paint Mixer

### BA9121

- Mixes paints in 1oz, 3oz and 4oz bottles.
- Runs off 2 x AA batteries (not supplied).



## Masking Materials

### FOTO/FRISKETT FILM

- This is a transparent self adhering masking and stencilling material which is cut directly on your work surface.

### BA/BMF30 - Roll - 300mm x 4m

### NO-TACK STENCIL FILM

- This material combines the best of both film and paper. It is a smooth, non-porous vellum-like surface, which permits rendering in almost all media: airbrush, permanent felt tip marker, brush, technical pen etc. Reusable.

### BA0461 - 10 Sheet Pack - 8.5" x 11" (21.59cm x 29.74cm)

### BA0462 - 10 Sheet Pack - 11" x 17" (27.74cm x 43.18cm)

### BA0463 - Roll - 12" x 15" (30.48cm x 4.572m)



### MASKING TAPE

- Highly effective ultra-thin self-adhesive paper tape, especially developed for modelling applications. The tape is flexible and is easily applied to curved surfaces making it ideal for masking off areas for painting etc. Packaged in handy plastic dispenser.

### BA87030 - 6mm x 18m

### BA87031 - 10mm x 18m

### BA87032 - 18mm x 18m

# AIR BRUSHES

## AB7011



### Specification

- Kit comes complete with a single action external mix needle air brush
- Contains a 6' vinyl air hose, 60cc jar with cover, 22cc jar with cover, 7cc colour cup, propellant regulator and spanner
- Spray pattern adjusts 6mm to 50mm (1/4" to 2")
- Operates at 15-50 psi, normal operating pressure 25 psi
- Operates from aerosol propellant or compressor
- Display packed

## AB7023



### Specification

- Dual action brush kit
- Covers large and small areas
- Set comprises 1/4 oz (7cc) colour cup, 3/4 oz (22cc) and 2 oz (60cc) jars and lids, 6ft vinyl hose, spanner, brush hanger and reducing bush for connecting to 1/4" bsp outlet on a compressor
- Recommended working pressure 25 psi (1.7 bar)
- Fan size 0.8mm to 63mm (1/32" to 2 1/2")